



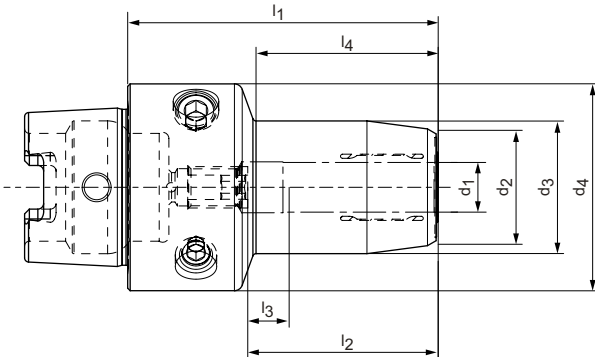
Your technology partner for cost-effective machining

# HYDRAULIC CLAMPING TECHNOLOGY

## HSK-C | HSK-E

# HydroChuck

to DIN 69882-7 with axial tool length adjustment  
Shank HSK-C according to DIN 69893-1



## Preferred series in stock

HSK-C	Dimensions								G	Specification	Order no.
	$d_1$	$d_2$	$d_3$	$d_4$	$l_1$	$l_2$	$l_3$	$l_4$			
40	6,0	21,5	26,0	40,0	60,0	37,0	10,0	35,0	M5	MHC-HSK-C040-06-060-1-0-A	30251176
40	8,0	23,5	28,0	40,0	60,0	37,0	10,0	36,0	M6	MHC-HSK-C040-08-060-1-0-A	30251177
40	10,0	25,5	30,0	40,0	65,0	41,0	10,0	41,0	M6	MHC-HSK-C040-10-065-1-0-A	30251178
40	12,0	27,5	32,0	40,0	70,0	46,0	10,0	47,0	M6	MHC-HSK-C040-12-070-1-0-A	30251179
50	6,0	21,5	26,0	50,0	60,0	37,0	10,0	30,0	M5	MHC-HSK-C050-06-060-1-0-A	30251180
50	8,0	23,5	28,0	50,0	60,0	37,0	10,0	30,0	M6	MHC-HSK-C050-08-060-1-0-A	30251181
50	10,0	25,5	30,0	50,0	65,0	41,0	10,0	35,0	M8x1	MHC-HSK-C050-10-065-1-0-A	30251182
50	12,0	27,5	32,0	50,0	75,0	46,0	10,0	44,0	M10x1	MHC-HSK-C050-12-075-1-0-A	30251183
50	14,0	29,5	34,0	50,0	75,0	46,0	10,0	46,0	M10x1	MHC-HSK-C050-14-075-1-0-A	30251184
50	16,0	33,5	38,0	50,0	80,0	49,0	10,0	51,0	M12x1	MHC-HSK-C050-16-080-1-0-A	30251185
50	18,0	33,5	40,0	50,0	80,0	49,0	10,0	51,0	M12x1	MHC-HSK-C050-18-080-1-0-A	30251186
50	20,0	37,5	42,0	50,0	80,0	51,0	10,0	52,0	M16x1	MHC-HSK-C050-20-080-1-0-A	30251187

Dimensions in mm.

Additional dimensions available upon request.

Use: For clamping tools with smooth cylindrical shanks according to DIN 1835 form A, DIN 6535 form HA as well as with recesses according to DIN 1835 Form B, E and DIN 6535 form HB, HE directly and with reducing sleeve in the clamping diameter. The clamping diameter is designed for a shank tolerance h6.

Scope of delivery: With length adjustment screw, without coolant pipe.

Design: Highest tool life and production quality when using smooth cylindrical shanks according to DIN 1835 Form A and DIN 6535 Form HA. With a projection length of 2.5xD

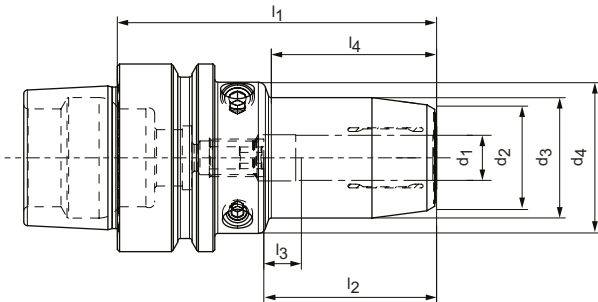
(max. 50 mm) radial run-out accuracy 3  $\mu$ m. When using cylindrical shanks with inclined clamping surface (form E and form HE), the accuracy may be impaired.

Note: Coolant supply via central through hole. Reducing bushes for reducing the clamping diameter (When using the reducing bush, the accuracy may be impaired) see chapter "Accessories, spare parts and measuring equipment". Length adjustment screws available on request.

Balancing quality: G 2.5 with 25,000 rpm in delivery status.

# HydroChuck

to DIN 69882-7 with axial tool length adjustment  
Shank HSK-E according to DIN 69893-5



## Preferred series in stock

HSK-E	Dimensions										G	Specification	Order no.
	d <sub>1</sub>	d <sub>2</sub>	d <sub>3</sub>	d <sub>4</sub>	d <sub>5</sub>	l <sub>1</sub>	l <sub>2</sub>	l <sub>3</sub>	l <sub>4</sub>	l <sub>5</sub>			
40	6,0	21,5	26,0	33,5	-	70,0	37,0	10,0	36,0	-	M5	MHC-HSK-E040-06-070-1-0-A	30495053
40	8,0	23,5	28,0	33,5	-	70,0	37,0	10,0	36,0	-	M6	MHC-HSK-E040-08-070-1-0-A	30501163
40	10,0	25,5	30,0	33,5	-	75,0	41,0	10,0	42,0	-	M6	MHC-HSK-E040-10-075-1-0-A	30543481
40	12,0	27,5	32,0	33,5	-	80,0	46,0	10,0	48,0	-	M6	MHC-HSK-E040-12-080-1-0-A	30495056
50	6,0	21,5	26,0	40,0	-	70,0	37,0	10,0	28,0	-	M5	MHC-HSK-E050-06-070-1-0-A	30550799
50	8,0	23,5	28,0	40,0	-	70,0	37,0	10,0	28,0	-	M6	MHC-HSK-E050-08-070-1-0-A	30550820
50	10,0	25,5	30,0	40,0	-	75,0	41,0	10,0	34,0	-	M8x1	MHC-HSK-E050-10-075-1-0-A	30550821
50	12,0	27,5	32,0	40,0	-	85,0	46,0	10,0	44,0	-	M10x1	MHC-HSK-E050-12-085-1-0-A	30550822
50	14,0	29,5	34,0	40,0	-	85,0	46,0	10,0	44,0	-	M10x1	MHC-HSK-E050-14-085-1-0-A	30320448
50	16,0	33,5	38,0	53,0	40,0	90,0	49,0	10,0	30,0	48,0	M10x1	MHC-HSK-E050-16-090-1-0-A	30550823
50	18,0	35,5	40,0	53,0	40,0	90,0	49,0	10,0	29,0	48,0	M12x1	MHC-HSK-E050-18-090-1-0-A	30550824
50	20,0	37,5	42,0	57,0	40,0	90,0	51,0	10,0	29,0	48,0	M10x1	MHC-HSK-E050-20-090-1-0-A	30550825

Dimensions in mm.

Additional dimensions available upon request.

Use: For clamping tools with smooth cylindrical shanks according to DIN 1835 form A, DIN 6535 form HA as well as with recesses according to DIN 1835 Form B, E and DIN 6535 form HB, HE directly and with reducing sleeve in the clamping diameter. The clamping diameter is designed for a shank tolerance h6.

Scope of delivery: With length adjustment screw, without coolant pipe.

Design: Highest tool life and production quality when using smooth cylindrical shanks according to DIN 1835 Form A and DIN 6535 Form HA. With a projection length of 2.5xD

(max. 50 mm) radial run-out accuracy 3 µm. When using cylindrical shanks with inclined clamping surface (form E and form HE), the accuracy may be impaired.

Note: Coolant supply via central through hole. Reducing bushes for reducing the clamping diameter (When using the reducing bush, the accuracy may be impaired) see chapter "Accessories, spare parts and measuring equipment". Length adjustment screws available on request.

Balancing quality: G 2.5 with 25,000 rpm in delivery status.



Discover tool and service solutions now that will move you forward:

## BORE MACHINING

REAMING | FINE BORING

DRILLING FROM SOLID | BORING | COUNTERSINKING

MILLING

CLAMPING

TURNING

ACTUATING

SETTING | MEASURING | DISPENSING

SERVICES