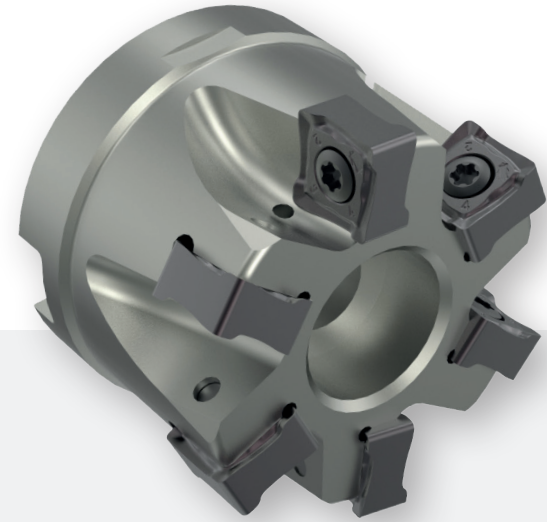
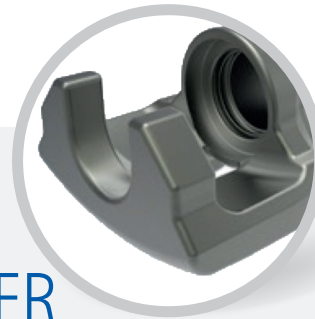


K

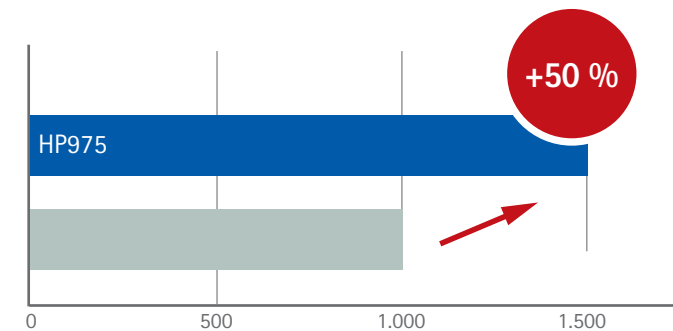
BRAKE CALIPER / BRAKE HOLDER

Milling bolt-on surfaces



	■	■
Material	EN-GJS-500 (GGG50)	
Tool	Corner Mill (tangential)	Corner Mill NeoMill®-8-Corner
Insert	WSP	SNMU120508R-M05-HP975
Tool-Ø [mm]	50	
Tooth t	7	6
Cutting edges per insert	4+4	8
Coolant	dry	
v_c [m/min]	188	
f_z [mm]	0,27	0,31
v_f [mm/min]	2.200	2.226
a_p [mm]	4,2	
a_e [mm]	30	
Number of cuts	2	

Machined parts



- Process reliability guaranteed by uniform cutting direction
- Tool life increased by 50 %
- CPP reduced by 46 %